

CLASSIC Series



CLASSIC WHITE
(Natural Interior)



CLASSIC CHOCOLATE
(Painted Interior)

SHAKER Series



SHAKER WHITE
(Natural Interior)



SHAKER GRAY
(Painted Interior)



PEBBLE GRAY
(Natural Interior)



SHAKER EXPRESSO
(Natural Interior)



NAVY BLUE SHAKER
(Natural Interior)

ESCADA Series



ESCADA WHITE
(Natural Interior)

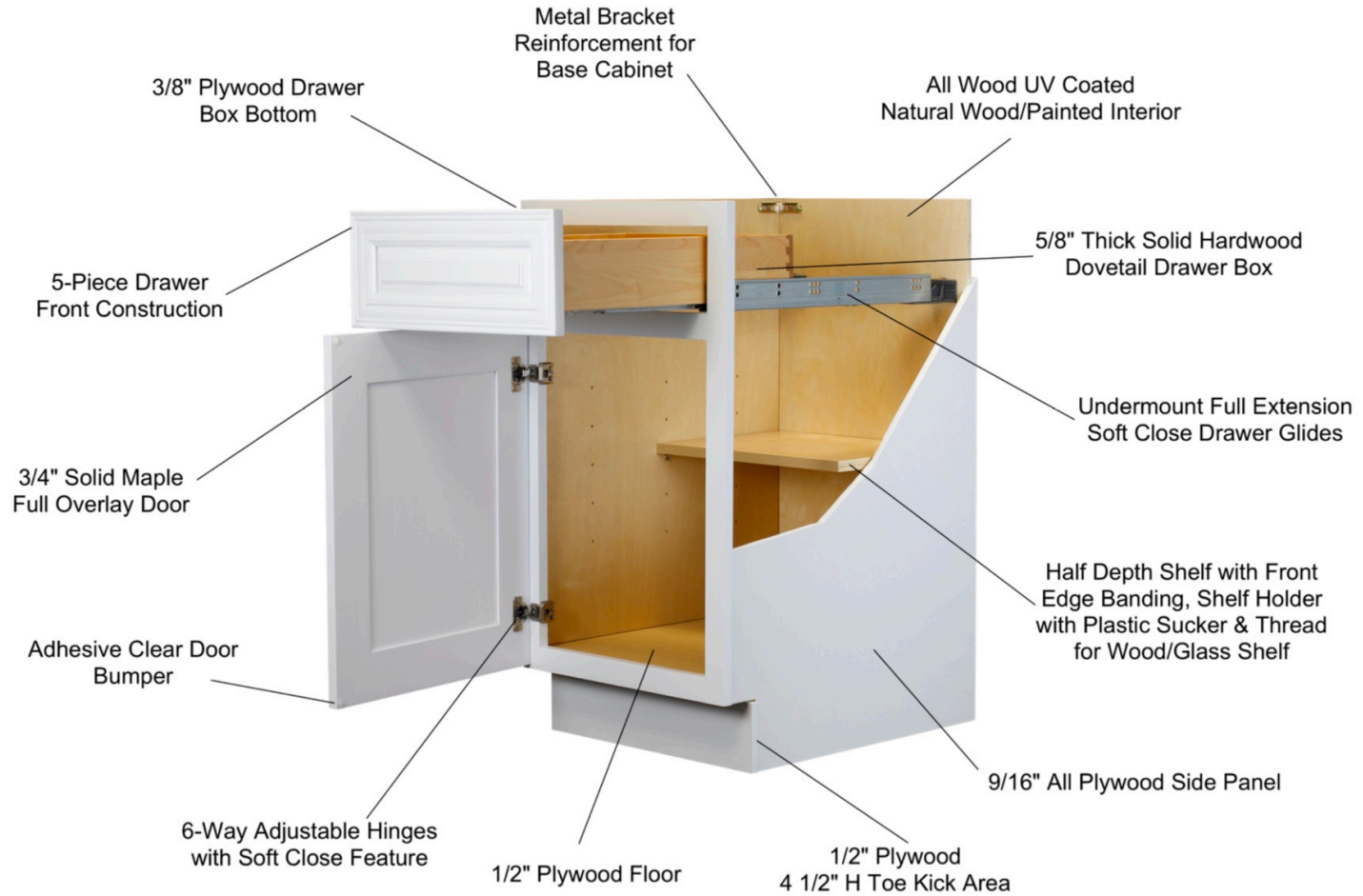


ESCADA DOVE
(Natural Interior)



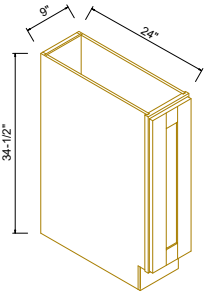
ESCADA GRAY
(Natural Interior)

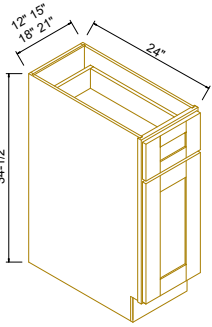
FEATURES



PRODUCT SPECIFICATIONS - Base Cabinets

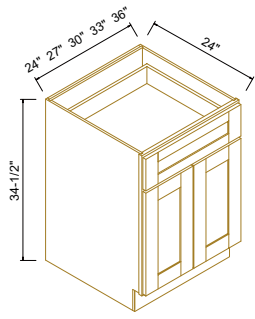
NOTE: PRODUCT DIMENSION (P11-41) BASED ON SW/SE/ED/EW/EVG/AW/CW/CC, SGF/PG MAY VARY.

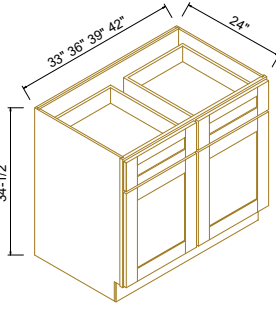
TRAY BASE					
	ITEM	DESCRIPTION	WIDTH	DEPTH	HEIGHT
	TB09	Cabinet Dimension	9	24	34 1/2
		Door Dimension	8 5/8	3/4	29 5/8
		Note: Full high door base09 with one shelf.			

SINGLE DOOR SINGLE DRAWER BASES					
	ITEM	DESCRIPTION	WIDTH	DEPTH	HEIGHT
	B12	Cabinet Dimension	12	24	34 1/2
		Door Dimension	11 3/4	3/4	22 1/4
		Drawer Front	11 3/4	3/4	7 1/4
	B15	Cabinet Dimension	15	24	34 1/2
		Door Dimension	14 3/4	3/4	22 1/4
		Drawer Front	14 3/4	3/4	7 1/4
	B18	Cabinet Dimension	18	24	34 1/2
		Door Dimension	17 3/4	3/4	22 1/4
		Drawer Front	17 3/4	3/4	7 1/4
	B21	Cabinet Dimension	21	24	34 1/2
		Door Dimension	20 3/4	3/4	22 1/4
		Drawer Front	20 3/4	3/4	7 1/4
Note: 1 Adj. Shelf for B12-B21.					

Specifications are subject to the physical product.

PRODUCT SPECIFICATIONS - Base Cabinets

DOUBLE DOOR SINGLE DRAWER BASES					
	ITEM	DESCRIPTION	WIDTH	DEPTH	HEIGHT
	B24	Cabinet Dimension	24	24	34 1/2
		Door Dimension	11 3/4	3/4	22 1/4
		Drawer Front	23 5/8	3/4	7 1/4
	B27	Cabinet Dimension	27	24	34 1/2
		Door Dimension	13 7/32	3/4	22 1/4
		Drawer Front	26 5/8	3/4	7 1/4
B30	Cabinet Dimension	30	24	34 1/2	
	Door Dimension	14 3/4	3/4	22 1/4	
	Drawer Front	29 5/8	3/4	7 1/4	
Note: 1 Adj. Shelf for B24-B30.					

DOUBLE DOOR DOUBLE DRAWER BASES					
	ITEM	DESCRIPTION	WIDTH	DEPTH	HEIGHT
	B33	Cabinet Dimension	33	24	34 1/2
		Door Dimension	16 7/32	3/4	22 1/4
		Drawer Front	16 7/32	3/4	7 1/4
	B36	Cabinet Dimension	36	24	34 1/2
		Door Dimension	17 3/4	3/4	22 1/4
		Drawer Front	17 3/4	3/4	7 1/4
	B39	Cabinet Dimension	39	24	34 1/2
		Door Dimension	19 7/32	3/4	22 1/4
		Drawer Front	19 7/32	3/4	7 1/4
	B42	Cabinet Dimension	42	24	34 1/2
		Door Dimension	20 3/4	3/4	22 1/4
		Drawer Front	20 3/4	3/4	7 1/4
Note: 1 Adj. Shelf for B33-B42.					

Specifications are subject to the physical product.

PRODUCT SPECIFICATIONS - Drawer Base Cabinets

THREE DRAWER BASES					
	ITEM	DESCRIPTION	WIDTH	DEPTH	HEIGHT
	DB12-3	Cabinet Dimension	12	24	34 1/2
		Top Drawer Front	11 3/4	3/4	7 1/4
		Bottom Drawer Front	11 3/4	3/4	11 1/32
	DB15-3	Cabinet Dimension	15	24	34 1/2
		Top Drawer Front	14 3/4	3/4	7 1/4
		Bottom Drawer Front	14 3/4	3/4	11 1/32
	DB18-3	Cabinet Dimension	18	24	34 1/2
		Top Drawer Front	17 3/4	3/4	7 1/4
		Bottom Drawer Front	17 3/4	3/4	11 1/32
	DB21-3	Cabinet Dimension	21	24	34 1/2
		Top Drawer Front	20 3/4	3/4	7 1/4
		Bottom Drawer Front	20 3/4	3/4	11 1/32
	DB24-3	Cabinet Dimension	24	24	34 1/2
		Top Drawer Front	23 5/8	3/4	7 1/4
		Bottom Drawer Front	23 5/8	3/4	11 1/32
	DB27-3	Cabinet Dimension	27	24	34 1/2
		Top Drawer Front	26 5/8	3/4	7 1/4
		Bottom Drawer Front	26 5/8	3/4	11 1/32
	DB30-3	Cabinet Dimension	30	24	34 1/2
		Top Drawer Front	29 5/8	3/4	7 1/4
		Bottom Drawer Front	29 5/8	3/4	11 1/32
	DB33-3	Cabinet Dimension	33	24	34 1/2
		Top Drawer Front	32 5/8	3/4	7 1/4
		Bottom Drawer Front	32 5/8	3/4	11 1/32
DB36-3	Cabinet Dimension	36	24	34 1/2	
	Top Drawer Front	35 5/8	3/4	7 1/4	
	Bottom Drawer Front	35 5/8	3/4	11 1/32	

Specifications are subject to the physical product.

PRODUCT SPECIFICATIONS - Drawer Base Cabinets

TWO DRAWER BASES					
	ITEM	DESCRIPTION	WIDTH	DEPTH	HEIGHT
	DB18-2	Cabinet Dimension	18	24	34 1/2
		Top Drawer Front	17 5/8	3/4	14 5/8
		Bottom Drawer Front	17 5/8	3/4	14 5/8
	DB24-2	Cabinet Dimension	24	24	34 1/2
		Top Drawer Front	23 5/8	3/4	14 5/8
		Bottom Drawer Front	23 5/8	3/4	14 5/8
	DB30-2	Cabinet Dimension	30	24	34 1/2
		Top Drawer Front	29 5/8	3/4	14 5/8
		Bottom Drawer Front	29 5/8	3/4	14 5/8
	DB36-2	Cabinet Dimension	36	24	34 1/2
		Top Drawer Front	35 5/8	3/4	14 5/8
		Bottom Drawer Front	35 5/8	3/4	14 5/8

FILE DRAWER BASE					
	ITEM	DESCRIPTION	WIDTH	DEPTH	HEIGHT
	DFB18	Cabinet Dimension	18	21	29 1/2
		Top Drawer Front	17 3/4	3/4	7 1/4
		Bottom Drawer Front	17 3/4	3/4	17

Specifications are subject to the physical product.

PRODUCT SPECIFICATIONS - Sink Base Cabinets

DOUBLE DOOR SINGLE DRAWER FACE SINK BASES					
	ITEM	DESCRIPTION	WIDTH	DEPTH	HEIGHT
	SB24	Cabinet Dimension	24	24	34 1/2
		Door Dimension	11 3/4	3/4	22 1/4
		Drawer Front	23 5/8	3/4	7 1/4
	SB27	Cabinet Dimension	27	24	34 1/2
		Door Dimension	13 7/32	3/4	22 1/4
		Drawer Front	26 5/8	3/4	7 1/4
	SB30	Cabinet Dimension	30	24	34 1/2
		Door Dimension	14 3/4	3/4	22 1/4
		Drawer Front	29 5/8	3/4	7 1/4

DOUBLE DOOR DOUBLE DRAWER FACE SINK BASES					
	ITEM	DESCRIPTION	WIDTH	DEPTH	HEIGHT
	SB33	Cabinet Dimension	33	24	34 1/2
		Door Dimension	16 7/32	3/4	22 1/4
		Drawer Front	16 7/32	3/4	7 1/4
	SB36	Cabinet Dimension	36	24	34 1/2
		Door Dimension	17 3/4	3/4	22 1/4
		Drawer Front	17 3/4	3/4	7 1/4
	SB39	Cabinet Dimension	39	24	34 1/2
		Door Dimension	19 7/32	3/4	22 1/4
		Drawer Front	19 7/32	3/4	7 1/4
	SB42	Cabinet Dimension	42	24	34 1/2
		Door Dimension	20 3/4	3/4	22 1/4
		Drawer Front	20 3/4	3/4	7 1/4

Specifications are subject to the physical product.

PRODUCT SPECIFICATIONS - Base Cabinets

CORNER SINK BASES					
	ITEM	DESCRIPTION	WIDTH	DEPTH	HEIGHT
	NCSB36	Cabinet Dimension	36	24	34 1/2
		Door Dimension	29 5/8 H	3/4	15 13/32 W
	NCSB42	Cabinet Dimension	42	24	34 1/2
		Door Dimension	29 5/8 H	3/4	23 7/32 W

FARM SINK BASES					
	ITEM	DESCRIPTION	WIDTH	DEPTH	HEIGHT
	FSB33	Cabinet Dimension	33	24	34 1/2
		Door Dimension	16 7/32	3/4	18 1/4
	FSB36	Cabinet Dimension	36	24	34 1/2
		Door Dimension	17 3/4	3/4	18 1/4

Specifications are subject to the physical product.

PRODUCT SPECIFICATIONS - Base Corner Cabinets

LAZY SUSAN BASES WITH SHELF						
	ITEM	DESCRIPTION	WIDTH	DEPTH	HEIGHT	
	BER33	Cabinet Dimension	33	24	34 1/2	
		Door Dimension	7 3/16	3/4	29 5/8	
	BER36	Cabinet Dimension	36	24	34 1/2	
		Door Dimension	10 3/16	3/4	29 5/8	
	Note: 1 Adj. Shelf for BER33-BER36.					

LAZY SUSUAN TURN TABLE FOR BER33&BER36					
	BER-B	Diameter Dimension	26 5/16		
		Diameter Dimension	26 5/16		

BASE END OPEN SHELF					
	ITEM	DESCRIPTION	WIDTH	DEPTH	HEIGHT
	BES09	Cabinet Dimension	9	24	34 1/2

Specifications are subject to the physical product.

PRODUCT SPECIFICATIONS - Base Cabinets

SPICE RACK BASE					
	ITEM	DESCRIPTION	WIDTH	DEPTH	HEIGHT
	BSR09	Cabinet Dimension	9	24	34 1/2
		Door Dimension	8 5/8	3/4	29 5/8

WASTE BASKET BASE					
	ITEM	DESCRIPTION	WIDTH	DEPTH	HEIGHT
	BWBK18-2A	Cabinet Dimension	18	24	34 1/2
		Top Drawer Front	17 3/4	3/4	7 1/4
		Bottom Drawer Front	17 3/4	3/4	22 1/4

BASE END CABINET					
	ITEM	DESCRIPTION	WIDTH	DEPTH	HEIGHT
	BEC24	Cabinet Dimension	24	24	34 1/2
		Door Dimension	18 3/8	3/4	29 5/8
		Note: 1 Adj. Shelf for BEC24.			

Specifications are subject to the physical product.

PRODUCT SPECIFICATIONS - Base Cabinets

BASE END ANGLE CABINETS

	ITEM	DESCRIPTION	WIDTH	DEPTH	HEIGHT
	BEA12-R/L	Cabinet Dimension	12	24	34 1/2
		Door Dimension	16 19/32	3/4	29 5/8
		Note: 1 Adj. Shelf for BEA12-R/L.			

BLIND CORNER BASES

	ITEM	DESCRIPTION	WIDTH	DEPTH	HEIGHT
<p>Must Use Filler (not supplied)</p> <p>Blind Base Cabinet</p> <p>Filler</p> <p>Adjacent Base Cabinet</p> <p>Top View (Application Shown is a right blind)</p>	BBC36	Cabinet Dimension	36	24	34 1/2
		Door Dimension	11 3/4	3/4	22 1/4
		Drawer Front	11 3/4	3/4	7 1/4
	BBC39	Cabinet Dimension	39	24	34 1/2
		Door Dimension	14 3/4	3/4	22 1/4
		Drawer Front	14 3/4	3/4	7 1/4
	BBC42	Cabinet Dimension	42	24	34 1/2
		Door Dimension	17 3/4	3/4	22 1/4
		Drawer Front	17 3/4	3/4	7 1/4
			MIN	MAX	
	BBC36		39		42
	BBC39		42		45
	BBC42		45		48
Note: 1 Adj. Shelf for BBC36-BBC42.					

Specifications are subject to the physical product.

PRODUCT SPECIFICATIONS - Base Cabinets

SPICE DRAWER BASE

	ITEM	DESCRIPTION	WIDTH	DEPTH	HEIGHT
	BSDC6	Cabinet Dimension	39	24	34 1/2
		Drawer Front	5 5/8	3/4	5 13/16

MICROWAVE BASE CABINET

	ITEM	DESCRIPTION	WIDTH	DEPTH	HEIGHT
	BM30A	Cabinet Dimension	30	24	34 1/2
		Rout Out	24	24	16
		Drawer Front	29 5/8	3/4	9

Specifications are subject to the physical product.

PRODUCT SPECIFICATIONS - Base Cabinets

FULL HIGH DOOR BASE CABINETS						
	ITEM	DESCRIPTION	WIDTH	DEPTH	HEIGHT	
	B12FHD	Cabinet Dimension	12	24	34 1/2	
		Door Dimension	11 3/4	3/4	29 5/8	
	B15FHD	Cabinet Dimension	15	24	34 1/2	
		Door Dimension	14 3/4	3/4	29 5/8	
	B18FHD	Cabinet Dimension	18	24	34 1/2	
		Door Dimension	17 3/4	3/4	29 5/8	
	B21FHD	Cabinet Dimension	21	24	34 1/2	
		Door Dimension	20 3/4	3/4	29 5/8	
	Note: one shelf-full depth.					
		B24FHD	Cabinet Dimension	24	24	34 1/2
Door Dimension			11 3/4	3/4	29 5/8	
B27FHD		Cabinet Dimension	27	24	34 1/2	
		Door Dimension	13 7/32	3/4	29 5/8	
B30FHD		Cabinet Dimension	30	24	34 1/2	
		Door Dimension	14 3/4	3/4	29 5/8	
B33FHD		Cabinet Dimension	33	24	34 1/2	
		Door Dimension	16 7/32	3/4	29 5/8	
B36FHD		Cabinet Dimension	36	24	34 1/2	
		Door Dimension	17 3/4	3/4	29 5/8	
Note: one shelf-full depth.						

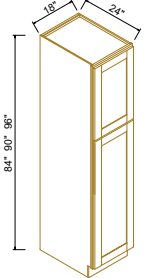
Specifications are subject to the physical product.

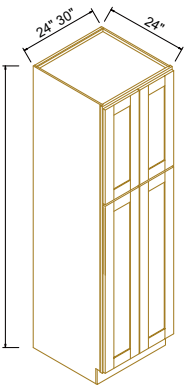
PRODUCT SPECIFICATIONS - Tall Cabinets

OVEN CABINETS WITH THREE DRAWERS					
	ITEM	DESCRIPTION	WIDTH	DEPTH	HEIGHT
	OD3384	Cabinet Dimension	33	24	84
		Door Dimension	16 7/32	3/4	17
		Drawer Front	32 5/8	3/4	7 3/4
	OD3390	Cabinet Dimension	33	24	90
		Door Dimension	16 7/32	3/4	23
	OD3396	Drawer Front	32 5/8	3/4	7 3/4
		Cabinet Dimension	33	24	96
	OD3396	Door Dimension	16 7/32	3/4	29
		Drawer Front	32 5/8	3/4	7 3/4
	Note: Can be modified to accommodate a double/combo oven.				
WALL PANTRY WITH THREE DRAWERS					
	ITEM	DESCRIPTION	WIDTH	DEPTH	HEIGHT
	WDP2490	Cabinet Dimension	24	24	90
		Door Dimension	11 3/4	3/4	43 5/8
		Top Drawer Front	23 5/8	3/4	11
	WDP2496	Bottom Drawer Front	23 5/8	3/4	15
		Cabinet Dimension	24	24	96
	WDP2496	Door Dimension	11 3/4	3/4	49 5/8
		Top Drawer Front	23 5/8	3/4	11
	WDP2496	Bottom Drawer Front	23 5/8	3/4	15
		Cabinet Dimension	30	24	90
	WDP3090	Door Dimension	14 3/4	3/4	43 5/8
Top Drawer Front		29 5/8	3/4	11	
WDP3090	Bottom Drawer Front	29 5/8	3/4	15	
	Cabinet Dimension	30	24	96	
WDP3096	Door Dimension	14 3/4	3/4	49 5/8	
	Top Drawer Front	29 5/8	3/4	11	
WDP3096	Bottom Drawer Front	29 5/8	3/4	15	
	Note: 2 Adj. Shelves for WDP2490-WDP3096.				

Specifications are subject to the physical product.

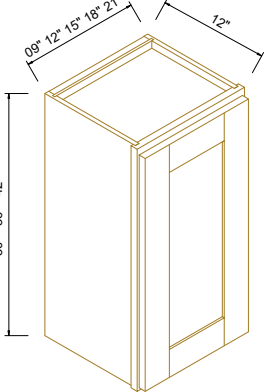
PRODUCT SPECIFICATIONS - Tall Cabinets

WALL PANTRIES						
	ITEM	DESCRIPTION	WIDTH	DEPTH	HEIGHT	
	WP1884	Cabinet Dimension	18	24	84	
		Top Door Dimension	17 3/4	3/4	29 5/8	
		Bottom Door Dimension	17 3/4	3/4	49 3/8	
	WP1890	Cabinet Dimension	18	24	90	
		Top Door Dimension	17 3/4	3/4	35 5/8	
		Bottom Door Dimension	17 3/4	3/4	49 3/8	
	WP1896	Cabinet Dimension	18	24	96	
		Top Door Dimension	17 3/4	3/4	41 5/8	
		Bottom Door Dimension	17 3/4	3/4	49 3/8	
	Note: 4 Adj. Shelves for WP1884-WP1896.					

	ITEM	DESCRIPTION	WIDTH	DEPTH	HEIGHT
	WP2484	Cabinet Dimension	24	24	84
		Top Door Dimension	11 3/4	3/4	29 5/8
		Bottom Door Dimension	11 3/4	3/4	49 3/8
	WP2490	Cabinet Dimension	24	24	90
		Top Door Dimension	11 3/4	3/4	35 5/8
		Bottom Door Dimension	11 3/4	3/4	49 3/8
	WP2496	Cabinet Dimension	24	24	96
		Top Door Dimension	11 3/4	3/4	41 5/8
		Bottom Door Dimension	11 3/4	3/4	49 3/8
	WP3084	Cabinet Dimension	30	24	84
		Top Door Dimension	14 3/4	3/4	29 5/8
		Bottom Door Dimension	14 3/4	3/4	49 3/8
	WP3090	Cabinet Dimension	30	24	90
		Top Door Dimension	14 3/4	3/4	35 5/8
		Bottom Door Dimension	14 3/4	3/4	49 3/8
	WP3096	Cabinet Dimension	30	24	96
		Top Door Dimension	14 3/4	3/4	41 5/8
		Bottom Door Dimension	14 3/4	3/4	49 3/8
Note: 4 Adj. Shelves for WP2484-WP3096.					

Specifications are subject to the physical product.

PRODUCT SPECIFICATIONS - Wall Cabinets

SINGLE DOOR WALL CABINETS					
	ITEM	DESCRIPTION	WIDTH	DEPTH	HEIGHT
	W0930	Cabinet Dimension	9	12	30
		Door Dimension	8 5/8	3/4	29 5/8
	W1230	Cabinet Dimension	12	12	30
		Door Dimension	11 3/4	3/4	29 5/8
	W1530	Cabinet Dimension	15	12	30
		Door Dimension	14 3/4	3/4	29 5/8
	W1830	Cabinet Dimension	18	12	30
		Door Dimension	17 3/4	3/4	29 5/8
	W2130	Cabinet Dimension	21	12	30
		Door Dimension	20 3/4	3/4	29 5/8
	W0936	Cabinet Dimension	9	12	36
		Door Dimension	8 5/8	3/4	35 5/8
	W1236	Cabinet Dimension	12	12	36
		Door Dimension	11 3/4	3/4	35 5/8
	W1536	Cabinet Dimension	15	12	36
		Door Dimension	14 3/4	3/4	35 5/8
	W1836	Cabinet Dimension	18	12	36
		Door Dimension	17 3/4	3/4	35 5/8
	W2136	Cabinet Dimension	21	12	36
		Door Dimension	20 3/4	3/4	35 5/8
	W0942	Cabinet Dimension	9	12	42
		Door Dimension	8 5/8	3/4	41 5/8
	W1242	Cabinet Dimension	12	12	42
		Door Dimension	11 3/4	3/4	41 5/8
W1542	Cabinet Dimension	15	12	42	
	Door Dimension	14 3/4	3/4	41 5/8	
W1842	Cabinet Dimension	18	12	42	
	Door Dimension	17 3/4	3/4	41 5/8	
W2142	Cabinet Dimension	21	12	42	
	Door Dimension	20 3/4	3/4	41 5/8	
Note: 2 Adj. Shelves for W0930-W2136; 3 Adj. Shelves for W0942-W2142.					

Specifications are subject to the physical product.

PRODUCT SPECIFICATIONS - Wall Cabinets

DOUBLE DOOR WALL CABINETS					
	ITEM	DESCRIPTION	WIDTH	DEPTH	HEIGHT
	W2430	Cabinet Dimension	24	12	30
		Door Dimension	11 3/4	3/4	29 5/8
	W2730	Cabinet Dimension	27	12	30
		Door Dimension	13 1/4	3/4	29 5/8
	W3030	Cabinet Dimension	30	12	30
		Door Dimension	14 3/4	3/4	29 5/8
	W3330	Cabinet Dimension	33	12	30
		Door Dimension	16 1/4	3/4	29 5/8
	W3630	Cabinet Dimension	36	12	30
		Door Dimension	17 3/4	3/4	29 5/8
	W3930	Cabinet Dimension	39	12	30
		Door Dimension	19 1/4	3/4	29 5/8
	W4230	Cabinet Dimension	42	12	30
		Door Dimension	20 3/4	3/4	29 5/8
	W2436	Cabinet Dimension	24	12	36
		Door Dimension	11 3/4	3/4	35 5/8
	W2736	Cabinet Dimension	27	12	36
		Door Dimension	13 1/4	3/4	35 5/8
	W3036	Cabinet Dimension	30	12	36
		Door Dimension	14 3/4	3/4	35 5/8
W3336	Cabinet Dimension	33	12	36	
	Door Dimension	16 1/4	3/4	35 5/8	
W3636	Cabinet Dimension	36	12	36	
	Door Dimension	17 3/4	3/4	35 5/8	
W3936	Cabinet Dimension	39	12	36	
	Door Dimension	19 1/4	3/4	35 5/8	

Note: 2 Adj. Shelves for W2430-W3936.

Specifications are subject to the physical product.

PRODUCT SPECIFICATIONS - Wall Cabinets

DOUBLE DOOR WALL CABINETS					
	ITEM	DESCRIPTION	WIDTH	DEPTH	HEIGHT
	W4236	Cabinet Dimension	42	12	36
		Door Dimension	20 3/4	3/4	35 5/8
	W2442	Cabinet Dimension	24	12	42
		Door Dimension	11 3/4	3/4	41 5/8
	W2742	Cabinet Dimension	27	12	42
		Door Dimension	13 1/4	3/4	41 5/8
	W3042	Cabinet Dimension	30	12	42
		Door Dimension	14 3/4	3/4	41 5/8
	W3342	Cabinet Dimension	33	12	42
		Door Dimension	16 1/4	3/4	41 5/8
	W3642	Cabinet Dimension	36	12	42
		Door Dimension	17 3/4	3/4	41 5/8
	W3942	Cabinet Dimension	39	12	42
		Door Dimension	19 1/4	3/4	41 5/8
	W4242	Cabinet Dimension	42	12	42
		Door Dimension	20 3/4	3/4	41 5/8

Note: 2 Adj. Shelves for W4236; 3 Adj. Shelves for W2442-W4242.

Specifications are subject to the physical product.

PRODUCT SPECIFICATIONS - Wall Cabinets

DOUBLE DOOR WALL CABINETS					
	ITEM	DESCRIPTION	WIDTH	DEPTH	HEIGHT
	W3012	Cabinet Dimension	30	12	12
		Door Dimension	14 3/4	3/4	11 5/8
	W3015	Cabinet Dimension	30	12	15
		Door Dimension	14 3/4	3/4	14 5/8
	W3018	Cabinet Dimension	30	12	18
		Door Dimension	14 3/4	3/4	17 5/8
	W3312	Cabinet Dimension	33	12	12
		Door Dimension	16 7/32	3/4	11 5/8
	W3315	Cabinet Dimension	36	12	15
		Door Dimension	16 7/32	3/4	14 5/8
	W3318	Cabinet Dimension	36	12	18
		Door Dimension	16 7/32	3/4	17 5/8
	W3612	Cabinet Dimension	36	12	12
		Door Dimension	17 3/4	3/4	11 5/8
	W3615	Cabinet Dimension	36	12	15
		Door Dimension	17 3/4	3/4	14 5/8
W3618	Cabinet Dimension	36	12	18	
	Door Dimension	17 3/4	3/4	17 5/8	

DOUBLE DOOR WALL CABINETS						
	ITEM	DESCRIPTION	WIDTH	DEPTH	HEIGHT	
	W3024	Cabinet Dimension	30	12	24	
		Door Dimension	14 3/4	3/4	23 5/8	
	W3324	Cabinet Dimension	33	12	24	
		Door Dimension	16 7/32	3/4	23 5/8	
	W3624	Cabinet Dimension	36	12	24	
		Door Dimension	17 3/4	3/4	23 5/8	
	Note: 1 Adj. Shelf for W3024-W3624.					

Specifications are subject to the physical product.

PRODUCT SPECIFICATIONS - Wall Cabinets

DOUBLE DOOR WALL CABINETS					
	ITEM	DESCRIPTION	WIDTH	DEPTH	HEIGHT
	W331224	Cabinet Dimension	33	24	12
		Door Dimension	16 7/32	3/4	11 5/8
	W361224	Cabinet Dimension	36	24	12
		Door Dimension	17 3/4	3/4	11 5/8
	W331524	Cabinet Dimension	33	24	15
		Door Dimension	16 7/32	3/4	14 5/8
	W361524	Cabinet Dimension	36	24	15
		Door Dimension	17 3/4	3/4	14 5/8
	W331824	Cabinet Dimension	33	24	18
		Door Dimension	16 7/32	3/4	17 5/8
	W361824	Cabinet Dimension	36	24	18
		Door Dimension	17 3/4	3/4	17 5/8
	W302424	Cabinet Dimension	30	24	24
		Door Dimension	14 3/4	3/4	23 5/8
	W332424	Cabinet Dimension	33	24	24
		Door Dimension	16 7/32	3/4	23 5/8
W362424	Cabinet Dimension	36	24	24	
	Door Dimension	17 3/4	3/4	23 5/8	
Note: 1 Adj. Shelf for W332424-W362424.					

Specifications are subject to the physical product.

PRODUCT SPECIFICATIONS - Wall Cabinets

SINGLE DOOR WALL CABINETS

	ITEM	DESCRIPTION	WIDTH	DEPTH	HEIGHT
	W1218	Cabinet Dimension	12	12	18
		Door Dimension	11 3/4	3/4	17 5/8
	W1518	Cabinet Dimension	15	12	18
		Door Dimension	14 3/4	3/4	17 5/8
	W1818	Cabinet Dimension	18	12	18
		Door Dimension	17 3/4	3/4	17 5/8
	W2118	Cabinet Dimension	21	12	18
		Door Dimension	20 3/4	3/4	17 5/8

DOUBLE DOOR WALL CABINETS

	ITEM	DESCRIPTION	WIDTH	DEPTH	HEIGHT
	W2418	Cabinet Dimension	24	12	18
		Door Dimension	11 3/14	3/4	17 5/8
	W2718	Cabinet Dimension	27	12	18
		Door Dimension	13 7/32	3/4	17 5/8

Specifications are subject to the physical product.

PRODUCT SPECIFICATIONS - Wall Cabinets

DIAGONAL CORNER CABINETS

	ITEM	DESCRIPTION	WIDTH	DEPTH	HEIGHT
	WDC2430	Cabinet Dimension	24	12	30
		Door Dimension	15 13/32	3/4	29 5/8
	WDC2436	Cabinet Dimension	24	12	36
		Door Dimension	15 13/32	3/4	35 5/8
	WDC2442	Cabinet Dimension	24	12	42
		Door Dimension	15 13/32	3/4	41 5/8
	WDC273015	Cabinet Dimension	27	15	30
		Door Dimension	15 13/32	3/4	29 5/8
	WDC273615	Cabinet Dimension	27	15	36
		Door Dimension	15 13/32	3/4	35 5/8
	WDC274215	Cabinet Dimension	27	15	42
		Door Dimension	15 13/32	3/4	41 5/8

Note: 2 Adj. Shelves for WDC2430-WDC2436, WDC273015-WDC273615; 3 Adj. Shelves for WDC2442, WDC274215.

DIAGONAL CORNER CABINETS

	ITEM	DESCRIPTION	WIDTH	DEPTH	HEIGHT
	WDC2418	Cabinet Dimension	24	12	18
		Door Dimension	15 13/32	3/4	17 5/8

Specifications are subject to the physical product.

PRODUCT SPECIFICATIONS - Wall Cabinets

WALL BLIND CORNER CABINETS					
	ITEM	DESCRIPTION	WIDTH	DEPTH	HEIGHT
	WBC2730	Cabinet Dimension	27	12	30
		Door Dimension	11 3/4	3/4	29 5/8
	WBC2736	Cabinet Dimension	27	12	36
		Door Dimension	11 3/4	3/4	35 5/8
	WBC2742	Cabinet Dimension	27	12	42
		Door Dimension	11 3/4	3/4	41 5/8
<p>Note: 2 Adj. Shelves for WBC2730-WBC2736; 3 Adj. Shelves for WBC2742.</p>					

WALL END OPEN SHELVES					
	ITEM	DESCRIPTION	WIDTH	DEPTH	HEIGHT
	WES0930	Cabinet Dimension	9	12	30
		Number of Shelves	1	1	1
	WES0936	Cabinet Dimension	9	12	36
		Number of Shelves	2	2	2
	WES0942	Cabinet Dimension	9	12	42
		Number of Shelves	2	2	2
<p>Note: 1 Adj. Shelf for WES0930; 2 Adj. Shelves for WES0936-WES0942.</p>					

Specifications are subject to the physical product.

PRODUCT SPECIFICATIONS - Wall Cabinets

WINE RACK CABINETS WITH X DIVIDER CUBE INSERT					
	ITEM	DESCRIPTION	WIDTH	DEPTH	HEIGHT
	WXR3015	Cabinet Dimension	30	12	15
		WXR3018	Cabinet Dimension	30	12
	WXR3615	Cabinet Dimension	36	12	15
		WXR3618	Cabinet Dimension	36	12

WINE RACK CABINETS WITH LATTICE PANELS					
	ITEM	DESCRIPTION	WIDTH	DEPTH	HEIGHT
	WR3015	Cabinet Dimension	30	12	15
	WR3018	Cabinet Dimension	30	12	18
	WR3615	Cabinet Dimension	36	12	15
	WR3618	Cabinet Dimension	36	12	18

	WR2430	Cabinet Dimension	24	12	30

Specifications are subject to the physical product.

PRODUCT SPECIFICATIONS - Wall Cabinets

WALL EASY REACH CABINETS					
	ITEM	DESCRIPTION	WIDTH	DEPTH	HEIGHT
	WER2430	Cabinet Dimension	24	12	30
		Door Dimension	10 3/16	3/4	29 5/8
	WER2436	Cabinet Dimension	24	12	36
		Door Dimension	10 3/16	3/4	35 5/8
	WER2442	Cabinet Dimension	24	12	42
		Door Dimension	10 3/16	3/4	41 5/8
<p>Note: 2 Adj. Shelves for WER2430-WER2436; 3 Adj. Shelves for WER2442.</p>					

WALL MICROWAVE OPEN SHELVES					
	ITEM	DESCRIPTION	WIDTH	DEPTH	HEIGHT
	WM3030	Cabinet Dimension	30	12	30
		Door Dimension	14 3/4	3/4	11 5/8
		Open Shelf	26 7/8	20 1/4	16 1/4
	WM3036	Cabinet Dimension	30	12	36
		Door Dimension	14 3/4	3/4	17 5/8
		Open Shelf	26 7/8	20 1/4	16 1/4
	WM3042	Cabinet Dimension	30	12	42
		Door Dimension	14 3/4	3/4	23 5/8
		Open Shelf	26 7/8	20 1/4	16 1/4
<p>Note: 1 Adj. Shelf for WM3030-WM3042.</p>					

Specifications are subject to the physical product.

PRODUCT SPECIFICATIONS - Wall Cabinets

WALL END ANGLE CABINETS					
	ITEM	DESCRIPTION	WIDTH	DEPTH	HEIGHT
	WEA1230	Cabinet Dimension	12	12	30
		Door Dimension	9 1/4	3/4	29 5/8
	WEA1236	Cabinet Dimension	12	12	36
		Door Dimension	9 1/4	3/4	35 5/8
	WEA1242	Cabinet Dimension	12	12	42
		Door Dimension	9 1/4	3/4	41 5/8
<p>Note: 2 Adj. Shelves for WEA1230-WEA1236; 3 Adj. Shelves for WEA1242.</p>					

WALL END CORNER CABINETS					
	ITEM	DESCRIPTION	WIDTH	DEPTH	HEIGHT
	WEC1230	Cabinet Dimension	12	12	30
		Door Dimension	15 27/32	3/4	29 5/8
		Number of Shelves	2	2	2
WEC1236	Cabinet Dimension	12	12	36	
	Door Dimension	15 27/32	3/4	35 5/8	
	Number of Shelves	2	2	2	
WEC1242	Cabinet Dimension	12	12	42	
	Door Dimension	15 27/32	3/4	41 5/8	
	Number of Shelves	3	3	3	
<p>Note: 2 Adj. Shelves for WEC1230-WEC1236; 3 Adj. Shelves for WEC1242.</p>					

WALL DRAWER CABINETS					
	ITEM	DESCRIPTION	WIDTH	DEPTH	HEIGHT
	3DW18	Cabinet Dimension	18	12	18
		Top Drawer Front	17 5/8	3/4	5 3/4
		Bottom Drawer Front	17 5/8	3/4	5 3/4
3DW24	Cabinet Dimension	24	12	18	
	Top Drawer Front	23 5/8	3/4	5 3/4	
	Bottom Drawer Front	23 5/8	3/4	5 3/4	

Specifications are subject to the physical product.

PRODUCT SPECIFICATIONS - Glass Door Wall Cabinets

GLASS DOOR WALL CABINETS					
	ITEM	DESCRIPTION	WIDTH	DEPTH	HEIGHT
	W1212GD	Cabinet Dimension	12	12	12
		Door Dimension	11 3/4	3/4	11 5/8
	W1512GD	Cabinet Dimension	15	12	12
		Door Dimension	14 3/4	3/4	11 5/8
	W1812GD	Cabinet Dimension	18	12	12
		Door Dimension	17 3/4	3/4	11 5/8
W2112GD	Cabinet Dimension	21	12	12	
	Door Dimension	20 3/4	3/4	11 5/8	
	W2412GD	Cabinet Dimension	12	12	12
		Door Dimension	11 3/4	3/4	11 5/8
	W2712GD	Cabinet Dimension	15	12	12
		Door Dimension	13 7/32	3/4	11 5/8
	W3012GD	Cabinet Dimension	18	12	12
		Door Dimension	14 3/4	3/4	11 5/8
	W3312GD	Cabinet Dimension	21	12	12
		Door Dimension	16 7/32	3/4	11 5/8
	W3612GD	Cabinet Dimension	36	12	12
		Door Dimension	17 3/4	3/4	11 5/8

Specifications are subject to the physical product.

PRODUCT SPECIFICATIONS - Wall Cabinets

GLASS DOOR WALL CABINETS					
	ITEM	DESCRIPTION	WIDTH	DEPTH	HEIGHT
	W1530GD	Cabinet Dimension	15	12	30
		Door Dimension	14 3/4	3/4	29 5/8
	W1536GD	Cabinet Dimension	15	12	36
		Door Dimension	14 3/4	3/4	35 5/8
	W1542GD	Cabinet Dimension	15	12	42
		Door Dimension	14 3/4	3/4	41 5/8
	W1830GD	Cabinet Dimension	18	12	30
		Door Dimension	17 3/4	3/4	29 5/8
	W1836GD	Cabinet Dimension	18	12	36
		Door Dimension	17 3/4	3/4	35 5/8
W1842GD	Cabinet Dimension	18	12	42	
	Door Dimension	17 3/4	3/4	41 5/8	
Note: 2 Adj. Shelves for W1530GD-W1536GD, W1830GD-W1836GD; 3 Adj. Shelves for W1542GD, W1842GD.					
WALL DIAGONAL CORNER CABINETS WITH GLASS DOOR					
	ITEM	DESCRIPTION	WIDTH	DEPTH	HEIGHT
	WDC2430GD	Cabinet Dimension	24	12	30
		Door Dimension	15 13/32	3/4	29 5/8
	WDC2436GD	Cabinet Dimension	24	12	36
		Door Dimension	15 13/32	3/4	35 5/8
	WDC2442GD	Cabinet Dimension	24	12	42
		Door Dimension	15 13/32	3/4	41 5/8
Note: 2 Adj. Shelves for WDC2430GD-WDC2436GD; 3 Adj. Shelves for WDC2442GD.					

Specifications are subject to the physical product.

PRODUCT SPECIFICATIONS - Glass Door Wall Cabinets

GLASS DOOR WALL CABINETS					
	ITEM	DESCRIPTION	WIDTH	DEPTH	HEIGHT
	W2430GD	Cabinet Dimension	24	12	30
		Door Dimension	11 3/4	3/4	29 5/8
	W3030GD	Cabinet Dimension	30	12	30
		Door Dimension	14 3/4	3/4	29 5/8
	W3630GD	Cabinet Dimension	36	12	30
		Door Dimension	17 3/4	3/4	29 5/8
	W2436GD	Cabinet Dimension	24	12	36
		Door Dimension	11 3/4	3/4	35 5/8
	W3036GD	Cabinet Dimension	30	12	36
		Door Dimension	14 3/4	3/4	35 5/8
	W3636GD	Cabinet Dimension	36	12	36
		Door Dimension	17 3/4	3/4	35 5/8
	W2442GD	Cabinet Dimension	24	12	42
		Door Dimension	11 3/4	3/4	41 5/8
	W3042GD	Cabinet Dimension	30	12	42
		Door Dimension	14 3/4	3/4	41 5/8
	W3642GD	Cabinet Dimension	36	12	42
		Door Dimension	17 3/4	3/4	41 5/8
Note: 2 Adj. Shelves for W2430GD-W3636GD; 3 Adj. Shelves for W2442GD-W3642GD.					

Specifications are subject to the physical product.

PRODUCT SPECIFICATIONS - Vanities

VANITY SINGLE SINK BASES						
	ITEM	DESCRIPTION	WIDTH	DEPTH	HEIGHT	
	VA24	Cabinet Dimension	24	21	34 1/2	
		Door Dimension	11 21/32	3/4	22 1/4	
		Drawer Face Front	23 5/8	3/4	7 1/4	
	VA27	Cabinet Dimension	27	21	34 1/2	
		Door Dimension	13 1/8	3/4	22 1/4	
		Drawer Face Front	26 5/8	3/4	7 1/4	
	VA30	Cabinet Dimension	30	21	34 1/2	
		Door Dimension	14 21/32	3/4	22 1/4	
		Drawer Face Front	29 5/8	3/4	7 1/4	
	VA33	Cabinet Dimension	33	21	34 1/2	
		Door Dimension	16 1/8	3/4	22 1/4	
		Drawer Face Front	32 5/8	3/4	7 1/4	
	VA36	Cabinet Dimension	36	21	34 1/2	
		Door Dimension	17 21/32	3/4	22 1/4	
		Drawer Front	35 5/8	3/4	7 1/4	
	VANITY COMBINATION SINGLE SINK BASES					
		ITEM	DESCRIPTION	WIDTH	DEPTH	HEIGHT
		VSD36	Cabinet Dimension	36	21	34 1/2
Door Dimension			17 21/32	3/4	22 1/4	
Drawer Face Front			14 1/2	3/4	7 1/4	
Top Drawer Front			10 5/16	3/4	7 1/4	
VSD42		Cabinet Dimension	42	21	34 1/2	
		Door Dimension	20 21/32	3/4	22 1/4	
		Drawer Face Front	17 15/16	3/4	7 1/4	
		Top Drawer Front	11 19/32	3/4	7 1/4	

Specifications are subject to the physical product.

PRODUCT SPECIFICATIONS - Vanities

VANITY SINGLE SINK BASES WITH DRAWERS ON THE LEFT					
	ITEM	DESCRIPTION	WIDTH	DEPTH	HEIGHT
	VA36DL	Cabinet Dimension	36	21	34 1/2
		Door Dimension	11 5/8	3/4	22 1/4
		Drawer Face Front	23 3/8	3/4	7 1/4
		Top Drawer Front	11 19/32	3/4	7 1/4
		Bottom Drawer Front	11 19/32	3/4	11 1/32
	VA42DL	Cabinet Dimension	42	21	34 1/2
		Door Dimension	14 5/8	3/4	22 1/4
		Drawer Face Front	29 3/8	3/4	7 1/4
		Top Drawer Front	11 19/32	3/4	7 1/4
		Bottom Drawer Front	11 19/32	3/4	11 1/32

VANITY SINGLE SINK BASES WITH DRAWERS ON THE RIGHT					
	ITEM	DESCRIPTION	WIDTH	DEPTH	HEIGHT
	VA36DR	Cabinet Dimension	36	21	34 1/2
		Door Dimension	11 5/8	3/4	22 1/4
		Drawer Face Front	23 3/8	3/4	7 1/4
		Top Drawer Front	11 19/32	3/4	7 1/4
		Bottom Drawer Front	11 19/32	3/4	11 1/32
	VA42DR	Cabinet Dimension	42	21	34 1/2
		Door Dimension	14 5/8	3/4	22 1/4
		Drawer Face Front	29 3/8	3/4	7 1/4
		Top Drawer Front	11 19/32	3/4	7 1/4
		Bottom Drawer Front	11 19/32	3/4	11 1/32

Specifications are subject to the physical product.

PRODUCT SPECIFICATIONS - Vanities

VANITY THREE DRAWERS BASES					
	ITEM	DESCRIPTION	WIDTH	DEPTH	HEIGHT
	VDB12	Cabinet Dimension	12	21	34 1/2
		Top Drawer Front	11 15/32	3/4	7 1/4
		Bottom Drawer Front	11 15/32	3/4	11 1/32
	VDB15	Cabinet Dimension	15	21	34 1/2
		Top Drawer Front	14 15/32	3/4	7 1/4
		Bottom Drawer Front	14 15/32	3/4	11 1/32
	VDB18	Cabinet Dimension	18	21	34 1/2
		Top Drawer Front	17 15/32	3/4	7 1/4
		Bottom Drawer Front	17 15/32	3/4	11 1/32
	VDB21	Cabinet Dimension	21	21	34 1/2
		Top Drawer Front	20 15/32	3/4	7 1/4
		Bottom Drawer Front	20 15/32	3/4	11 1/32
	VDB24	Cabinet Dimension	24	21	34 1/2
		Top Drawer Front	23 15/32	3/4	7 1/4
		Bottom Drawer Front	23 15/32	3/4	11 1/32

VANITY COMBINATION SINGLE SINK BASE WITH 6 DRAWERS					
	ITEM	DESCRIPTION	WIDTH	DEPTH	HEIGHT
	VDDB42	Cabinet Dimension	42	21	34 1/2
		Door Dimension	17 3/8	3/4	22 1/4
		Drawer Face Front	17 3/8	3/4	7 1/4
		Top Drawer Front	11 19/32	3/4	7 1/4
		Bottom Drawer Front	11 19/32	3/4	11 1/32

Specifications are subject to the physical product.

PRODUCT SPECIFICATIONS - Vanities

VANITY SINGLE SINK BASES WITH DRAWERS ON BOTH SIDES					
	ITEM	DESCRIPTION	WIDTH	DEPTH	HEIGHT
	VA48DD	Cabinet Dimension	48	21	34 1/2
		Door Dimension	11 5/8	3/4	22 1/4
		Drawer Face Front	23 3/8	3/4	7 1/4
		Top Drawer Front	11 19/32	3/4	7 1/4
		Bottom Drawer Front	11 19/32	3/4	11 1/32
	VA60DD	Cabinet Dimension	60	21	34 1/2
		Door Dimension	17 5/8	3/4	22 1/4
		Drawer Face Front	35 3/8	3/4	7 1/4
		Top Drawer Front	11 19/32	3/4	7 1/4
		Bottom Drawer Front	11 19/32	3/4	11 1/32

VANITY DOUBLE SINK BASES WITH CENTRAL DRAWERS					
	ITEM	DESCRIPTION	WIDTH	DEPTH	HEIGHT
	VA60D	Cabinet Dimension	60	21	34 1/2
		Door Dimension	11 5/8	3/4	22 1/4
		Drawer Face Front	23 3/8	3/4	7 1/4
		Top Drawer Front	11 19/32	3/4	7 1/4
		Bottom Drawer Front	11 19/32	3/4	11 1/32

Specifications are subject to the physical product.

PRODUCT SPECIFICATIONS - MOLDING & DÉCOR

KNEE DRAWERS					
	ITEM	DESCRIPTION	WIDTH	DEPTH	HEIGHT
	DD24A	Cabinet Dimension	24	21	6
		Drawer Front	23 5/8	3/4	5 1/2
	DD30A	Cabinet Dimension	30	21	6
		Drawer Front	29 5/8	3/4	5 1/2
	DD33A	Cabinet Dimension	33	21	6
		Drawer Front	32 5/8	3/4	5 1/2
	DD36A	Cabinet Dimension	36	21	6
		Drawer Front	35 5/8	3/4	5 1/2

ROLL OUT DRAWERS					
	ITEM	DESCRIPTION	WIDTH	DEPTH	HEIGHT
	RD18S	Drawer Dimension	14 1/8	21	3 15/16
	RD21S	Drawer Dimension	17 1/16	21	3 15/16
	RD24S	Drawer Dimension	20 1/8	21	3 15/16
	RD27S	Drawer Dimension	23 1/8	21	3 15/16
	RD30S	Drawer Dimension	26 1/8	21	3 15/16
	RD33S	Drawer Dimension	29 1/8	21	3 15/16
	RD36S	Drawer Dimension	32 1/16	21	3 15/16

Specifications are subject to the physical product.

PRODUCT SPECIFICATIONS - MOLDING & DÉCOR

BASE DECORATIVE PANELS

	ITEM	DESCRIPTION	WIDTH	DEPTH	HEIGHT
	BDD21A	Door Dimensions	20 5/8	3/4	29 5/8
	BDD24A	Door Dimensions	23 5/8	3/4	29 5/8

TALL DECORATIVE PANELS

	ITEM	DESCRIPTION	WIDTH	DEPTH	HEIGHT
	TDEP2484	Door Dimensions	23 3/4	3/4	79 1/8
	TDEP2490	Door Dimensions	23 3/4	3/4	85 1/8
	TDEP2496	Door Dimensions	23 3/4	3/4	91 1/8

Specifications are subject to the physical product.

PRODUCT SPECIFICATIONS - MOLDING & DÉCOR

WALL DECORATIVE PANELS

	ITEM	DESCRIPTION	WIDTH	DEPTH	HEIGHT
	WFD1230	Door Dimensions	11 3/4	3/4	29 5/8
	WFD1236	Door Dimensions	11 3/4	3/4	35 5/8
	WFD1242	Door Dimensions	11 3/4	3/4	41 5/8

BASE WINE RACK X DIVIDER INSERTS

	ITEM	DESCRIPTION	WIDTH	DEPTH	HEIGHT
	BWRX15	Dimension	27 1/2	22 1/2	13 1/2
	BWRX18	Dimension	27 1/2	22 1/2	16 1/2
BWRX24	Dimension	27 1/2	22 1/2	22 1/2	

WALL STEAM GLASS HANGERS

	ITEM	DESCRIPTION	WIDTH	DEPTH	HEIGHT
	GR30	Cabinet Dimension	30	12	1 5/8
	GR36	Cabinet Dimension	36	12	1 5/8

Specifications are subject to the physical product.

PRODUCT SPECIFICATIONS - MOLDING & DÉCOR

BASE FINISH PANELS-THICK

	ITEM	DESCRIPTION	WIDTH	DEPTH	HEIGHT
	BP2496 3/4	Panel Dimensions	24	3/4	96
	BP4896 3/4	Panel Dimensions	48	3/4	96

BASE FINISH SKIN PANELS

	ITEM	DESCRIPTION	WIDTH	DEPTH	HEIGHT
	BP3696	Panel Dimensions	36	1/4	96
	BP4296	Panel Dimensions	42	1/4	96
	BP4896	Panel Dimensions	48	1/4	96

BEADED PLYWOOD FINISH PANEL

	ITEM	DESCRIPTION	WIDTH	DEPTH	HEIGHT
	BBFPV4896	Panel Dimensions	48	1/4	96

Specifications are subject to the physical product.

PRODUCT SPECIFICATIONS - MOLDING & DÉCOR

DISHWASHER END PANEL

	ITEM	DESCRIPTION	WIDTH	DEPTH	HEIGHT
	DWR	Panel Dimensions	24	1/2	34 1/2
		Filler Dimensions	3	1/2	34 1/2

REFRIGERATOR END PANELS

	ITEM	DESCRIPTION	WIDTH	DEPTH	HEIGHT
	RRP96	Panel Dimensions	24	1/2	96
		Filler Dimensions	3	1/2	96
	RRP96A	Panel Dimensions	24	1/2	96
		Filler Dimensions	1 1/2	1/2	96

TOE-KICK

	ITEM	DESCRIPTION	WIDTH	DEPTH	HEIGHT
	TK8	Filler Dimensions	4 1/2	1/4	96

Specifications are subject to the physical product.

PRODUCT SPECIFICATIONS - MOLDING & DÉCOR

WALL FILLERS

	ITEM	DESCRIPTION	WIDTH	DEPTH	HEIGHT
	WF342	Filler Dimensions	3	3/4	42
	WF396	Filler Dimensions	3	3/4	96
	WF642	Filler Dimensions	6	3/4	42
	WF696	Filler Dimensions	6	3/4	96

CORBELS

	ITEM	DESCRIPTION	WIDTH	DEPTH	HEIGHT
	SBS 9*9*3	Countertop Support	9	3	9
	SBS 13*9 B	Countertop Support	5 13/16	2 15/16	14

Specifications are subject to the physical product.

PRODUCT SPECIFICATIONS - MOLDING & DÉCOR

DECORATIVE LEGS

	ITEM	DESCRIPTION	WIDTH	DEPTH	HEIGHT
	SP3*36	Decorative Legs	3	3	36
	SP3*36(A)	With Fluted Design on	3	3	36
	SP3*36(B)	Decorative Legs SQUARE	3	3	36
	VDL	Vanity Decorative Legs	7 1/8	2 1/2	4 1/2
Note: only SW/SGF/ED/EW/EVG have VDL					

VALANCE BRIDGES

	ITEM	DESCRIPTION	WIDTH	DEPTH	HEIGHT
	VAS36	Dimension	36	3/4	6
	VAS42	Dimension	42	3/4	6
	VAS48	Dimension	48	3/4	6
	VAS60	Dimension	60	3/4	6

Specifications are subject to the physical product.

PRODUCT SPECIFICATIONS - MOLDING & DÉCOR

COVE MOLDINGS					
	ITEM	DESCRIPTION	WIDE	DEPTH	LONG
	COV8	Dimensions	3 1/2	3 1/2	96
	COV8-3	Dimensions	3 3/8	2 1/2	96

CROWN MOLDINGS					
	ITEM	DESCRIPTION	WIDE	DEPTH	LONG
	CM3	Dimensions	2 1/2	2 1/8	96
	CCM8+DE8	Dimensions	2 3/8	3 21/32	96
	CCM8+RPM8	Dimensions	2 3/8	3 21/32	96

SCRIBE MOLDING					
	ITEM	DESCRIPTION	WIDE	DEPTH	LONG
	SM8	Dimensions	3/4	1/4	96

BATTEN MOLDING					
	ITEM	DESCRIPTION	WIDE	DEPTH	LONG
	BAM8	Dimensions	3/4	1/4	96
		DOUBLE SIDE FINISH			

Specifications are subject to the physical product.

PRODUCT SPECIFICATIONS - MOLDING & DÉCOR

BASE FURNITURE MOLDING					
	ITEM	DESCRIPTION	WIDE	DEPTH	LONG
	BM8-4 1/2	Dimensions	4 1/2	3/4	96

BASE FURNITURE MOLDING					
	ITEM	DESCRIPTION	WIDE	DEPTH	LONG
	FBM	Dimensions	6	3/4	96

COUNTERTOP MOLDING					
	ITEM	DESCRIPTION	WIDE	DEPTH	LONG
	CTM8	Dimensions	1 7/8	3/4	96

PANELTRIM MOLDING					
	ITEM	DESCRIPTION	WIDE	DEPTH	LONG
	K8-1 3/16	Dimensions	1 1/4	3/4	96

Specifications are subject to the physical product.